

Product Specification

Product Name **50W led floodlight**
Product Spec
Date **2016-05-30**
Version **REV 1.0**



Approve:

Review:

Editor:

1.Product Description:

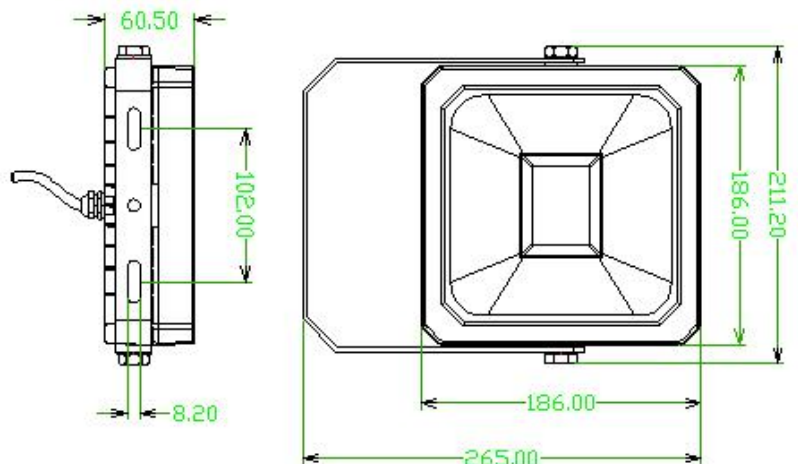
- Compact structural design,Unique stream lined lamp shape,sturdy,durable,waterproof and dust proof.
- Use high brightness SMD2835 as led light source, reasonable electric circuit design;high light efficiency, CRI,Excellent heat emission,energy saving and long lifespan.
- Constant current IC input,fast start,function stable and reliable.
- Optical design make light uniformity,no glaring,well protect the eyes.
- Modular structural design,could joining several module together,meet the goal of high power with scattered heat dissipation.

2.Applications

Application:widely used for billboard, lighting project, square, building outer wall, indoor lighting, factory lighting and so on.

3.Product specifications

Product Spec.		Storage temperature	-40~85℃
Certifications	CLASS I	Overall dimension	186*186*60.5mm
Certificate No.		radiator dimension	/
IP Class	IP65	Material	Aluminum alloy
Surface Color	Grey/Black	Weight	1.4kg
Humidity	5 ~95% R.H.	lifespan	~17,000H
Working Temperature	-20~55℃	Quality Assurance	2-3 years, < 3% within 3000Hrs



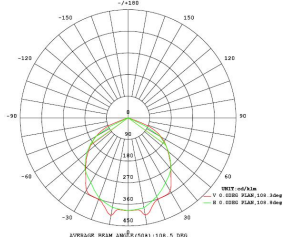
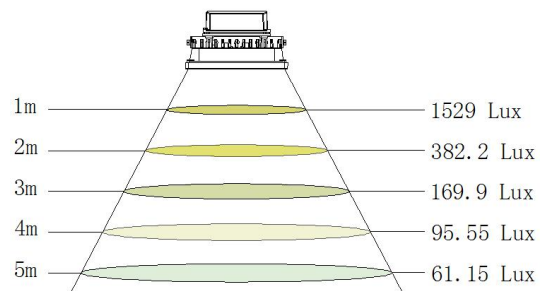
4. Electronic Specification

Testing Condition (Testing under 220V/50Hz)

Input Power	50W	Input Voltage	AC200 ~ 240V /AC100/140V
Input Current	0.227A	Power Factor	>0.9
Output Power	/	Output Voltage/ Current	/
Driver efficiency	>0.85	Frequency	50Hz/60Hz

5. Optic Spec (Tolerance ±10%, except assigned items)

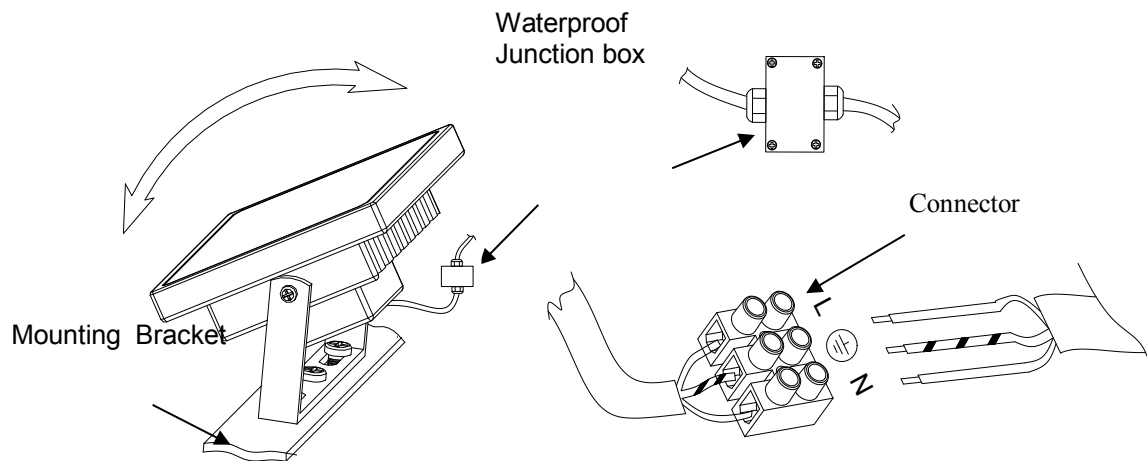
Testing Condition: (Lighting up more than 1.0H,)

Item	Unit	Typ.	Curve of Light Distribution	
			120°	
Luminous Flux	lm	4000LM		
CBCP(50%)	cd	424		
Light efficiency	lm/W	80LM/W		
CRI	/	≥80		
CCT/Wavelength	K/nm	2700K-7500K		
			Effective illumination	
			120°	
Color Tolerance	SDCM	<5		
Beam Angel	°	120		
LED Spec.	/	100PCS/2835SMD		

6. Temperature Test (Unit: °C)

LED Solder Point (T _{sp})	67	Surface of Heat Sink (T _{hs})	58
Testing Ambient Temp. (T _a)	30°		

7、 Installation Instructions:



1. Cut off the power.
2. Check fittings, get installation tools ready.
3. Fixed lamp on stand as the installation pictures show.
4. Lock screws with a wrench, and adjust the irradiation direction of the lights
5. Ensure water proof and moisture proof when outdoor use, waterproof junction box is suggested when wires connected, please refer to the installation pictures.
6. Adjust angle and fix, connect to the power after checking without problem.

8、 Notice:

- ◆ For safe, please ask professionals to install, repair and check. Operate by Non-professionals is dangerous.
- ◆ Should use with specified driver.
- ◆ For fixtures safety, please don't install them on high temperature and damp places. At least 75mm ventilation space will be asked for cooling.
- ◆ Uncover with insulation blanket and other similar things all the time.
- ◆ Please notice the glasses when install and dismantle.