

Product Specification

Product Name 10W flood light
Product Spec
Date 2016-08-15
Version REV 1.0



Approve

Review

Editor

1.Product Description:

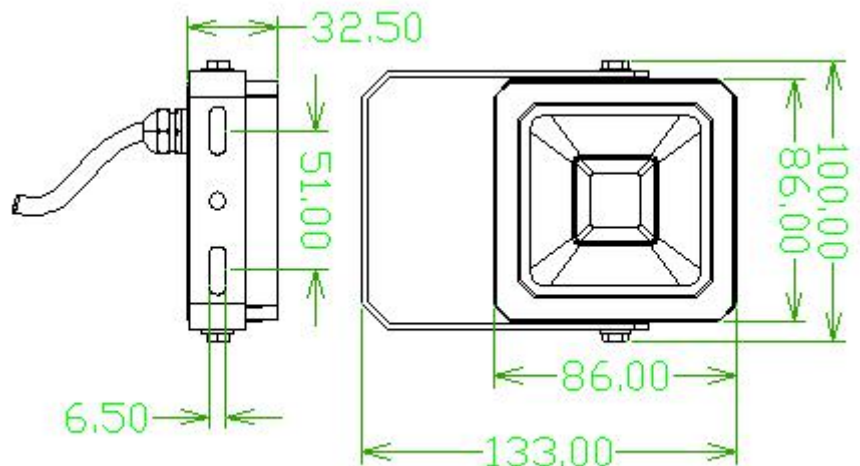
- Compact structural design,unique streamlined lamp shape,sturdy,durable,waterproof and dustproof .
- Use high brightness SMD2835 as led light source,reasonable electric circuit design;high light efficiency,CRI,excellent heat emission,energy saving and long lifespan.
- Constant-current IC input,fast star,function stable and reliable.
- Optical design make light uniformity,no glaring,well protect the eyes.
- Modular structural design,could joining several module together,meet the goal of high power with scattered heat dissipation.

2.Applications

Widely used for billboard, lighting project, square, building outer wall, indoor lighting, factory lighting and so on.

3.Product specifications

Product Spec.		Storage temperature	-40~85°C
Certifications	CLASS I	Overall dimension	86*86*32.5mm
Certificate No.		radiator dimension	/
IP Class	IP65	Material	Aluminum alloy
Surface Color	Grey/Black	Weight	0.35kg
Humidity	5 ~95% R.H.	lifespan	~Fī ,000H
Working Temperature	-20~55°C	Quality Assurance	2-3 years, < 3% within 3000Hrs



4. Electronic Specification

Testing Condition

Input Power	10W	Input Voltage	AC200~240V/ AC100~140V
Input Current	0.045A	Power Factor	>0.9
Output Power	/	Output Voltage/ Current	/
Driver efficiency	>0.85	Frequency	50Hz/60Hz

5. Optic Spec (Tolerance ±10%, except assigned items)

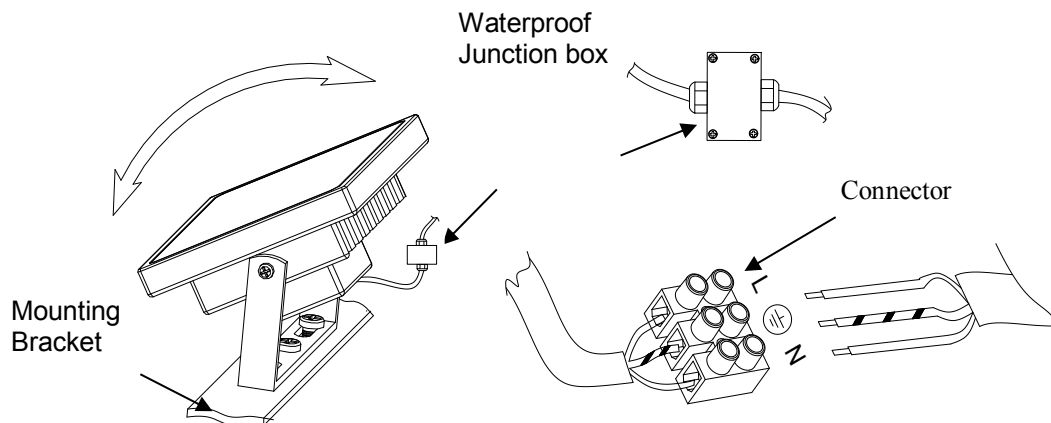
Testing Condition: (Lighting up more than 1.0H.)

Item	Unit	Typ.	Curve of Light Distribution	
				120°
Luminous Flux	lm	800LM		
CBCP(50%)	cd	475		
Light efficiency	lm/W	80LM/W		
CRI	/	≥75		
			Effective illumination	
			120°	
CCT/Wavelength	K/nm	2700K-7500K		
Color Tolerance	SDCM	<5		
Beam Angel	°	120		
LED Spec.	/	20PCS/2835SMD		

6. Temperature Test (Unit: °C)

LED Solder Point (Tsp)	59.9	Surface of Heat Sink (Ths)	54.5
Testing Ambient Temp. (Ta)	30°		

7、 Installation Introduction



1. Cut off the power.
2. Check fittings, get installation tools ready.
3. Fix lamp on stand as the installation pictures show..
4. Lock screws with a wrench, and adjust the irradiation direction of the lights
5. Ensure water proof and moisture proof when outdoor use, waterproof junction box is suggested when wires connected, please refer to the installation pictures
6. Adjust angle and fix, connect to the power after checking without problem

8、 Notice

- ◆ For safety, please ask professionals to install, repair and check. Operate by Non-professionals is dangerous
- ◆ For fixtures safety, please don't install them on high temperature and damp places. At least 75mm ventilation space will be asked for cooling.
- ◆ Uncover with insulation blanket and other similar things all the time.
- ◆ Please notice the glasses when install and dismantle.